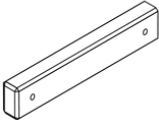
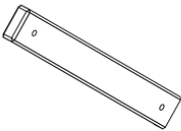
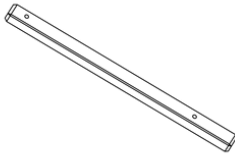
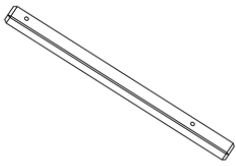
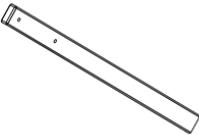
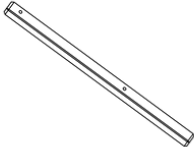
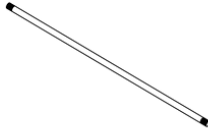



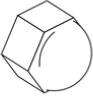
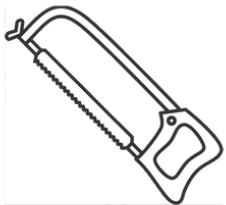


Montageanleitung

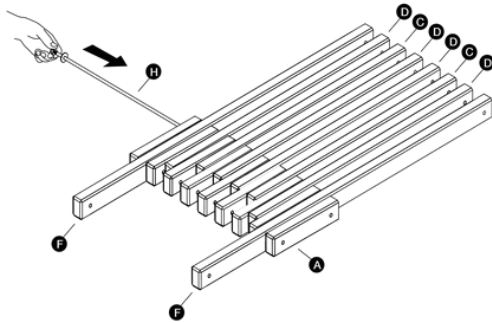
Skandinavischer Liegestuhl Kiefer H4H355

<p>A*9 30*50*230</p> 	<p>B*6 30*50*365</p> 	<p>C*2 30*50*735</p> 	<p>D*4 30*50*785</p> 
<p>E*2 30*50*875</p> 	<p>F*2 30*50*1050</p> 	<p>G*1</p> 	<p>H*1</p> 
<p>I*1</p> 	<p>J*1</p> 	<p>K*8</p> 	

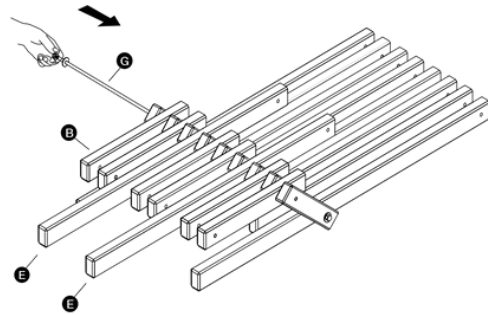
Montageanleitung

Skandinavischer Liegestuhl Kiefer H4H355

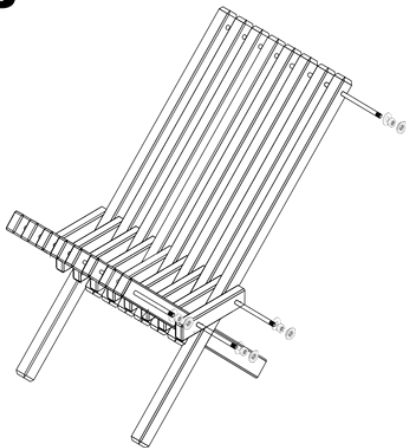
1



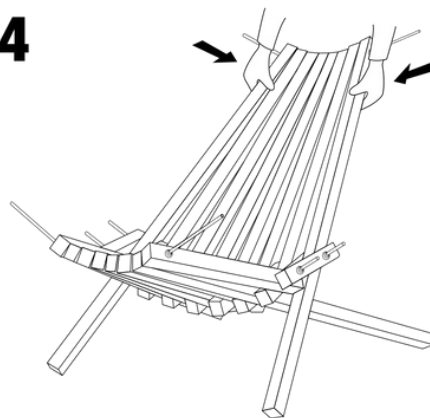
2



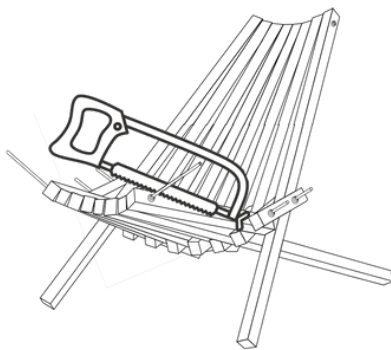
3



4



5

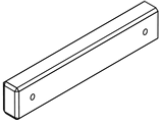
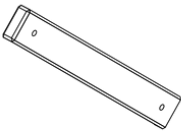
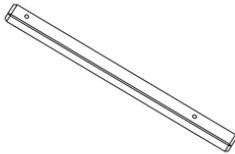
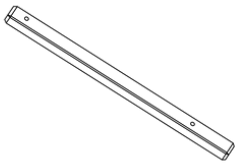
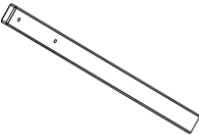
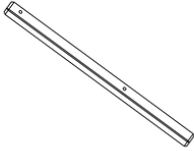
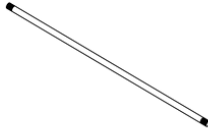



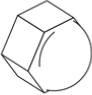
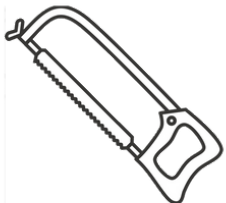


OK



Assembly Instruction

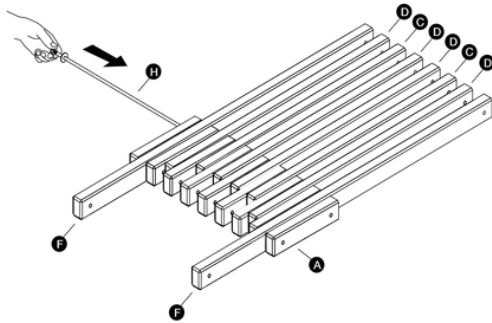
Scandinavian deck chair pine H4H355

A*9 30*50*230 	B*6 30*50*365 	C*2 30*50*735 	D*4 30*50*785 
E*2 30*50*875 	F*2 30*50*1050 	G*1 	H*1 
I*1 	J*1 	K*8 	

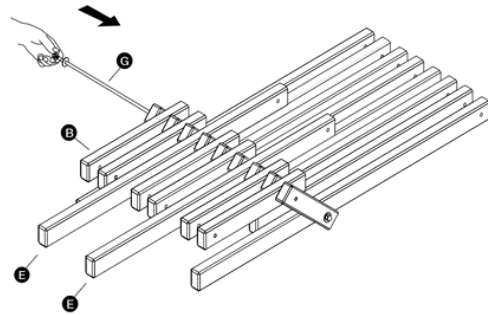
Assembly Instruction

Scandinavian deck chair pine H4H355

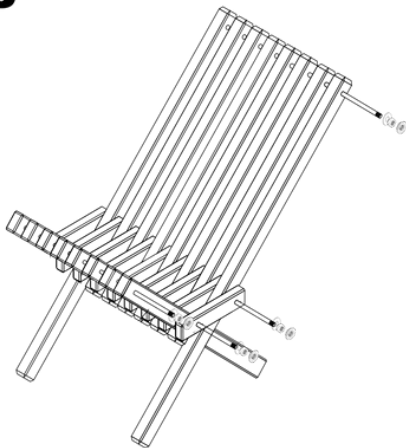
1



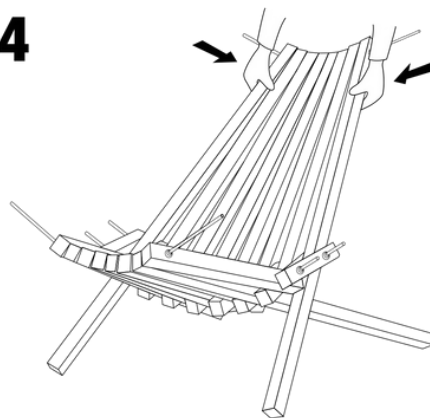
2



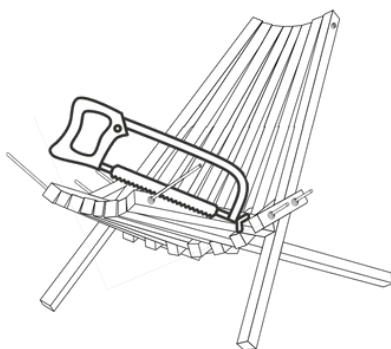
3



4



5



OK

